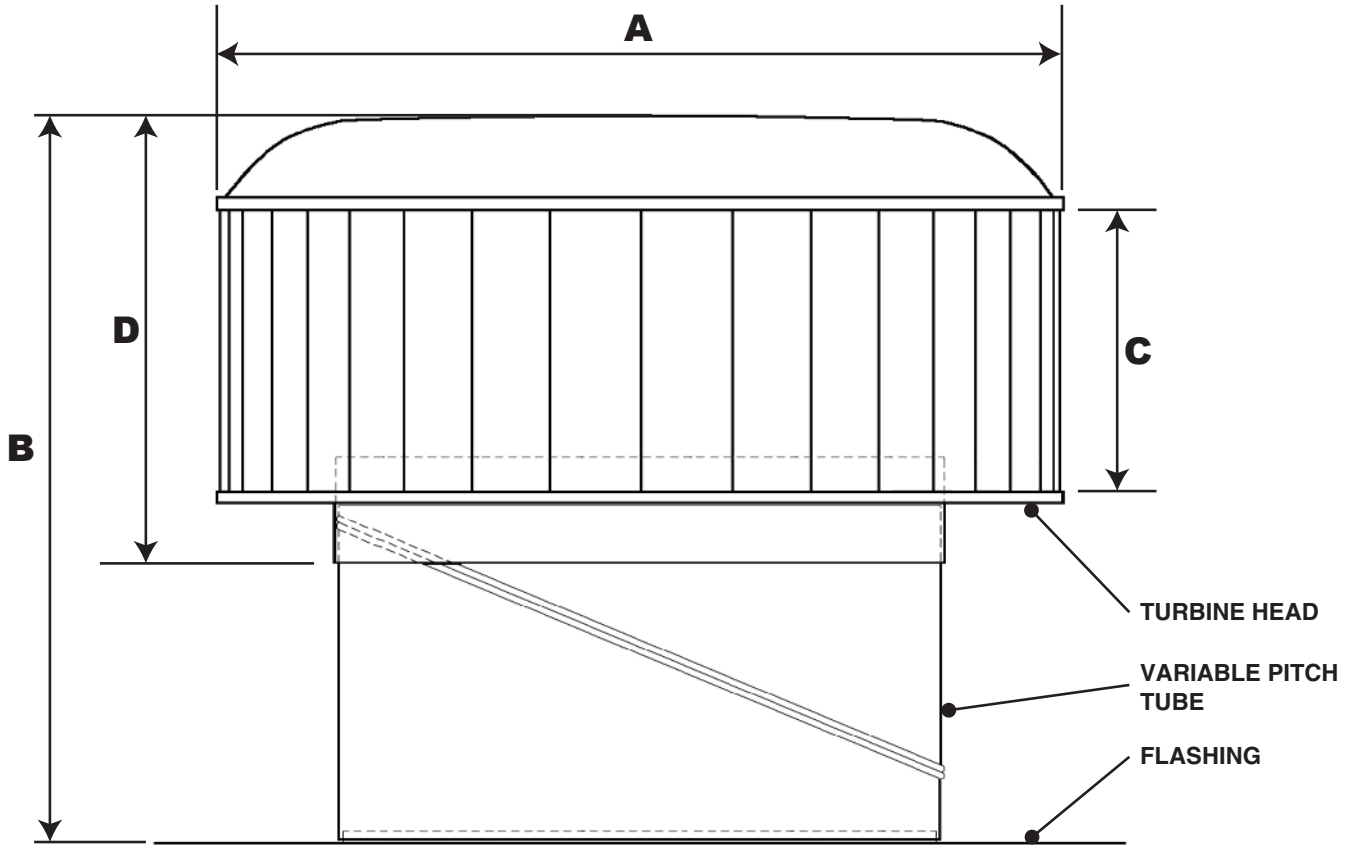


INDUSTRIAL TURBINE VENTILATORS

Dimensions – Complete Unit



DIMENSIONS

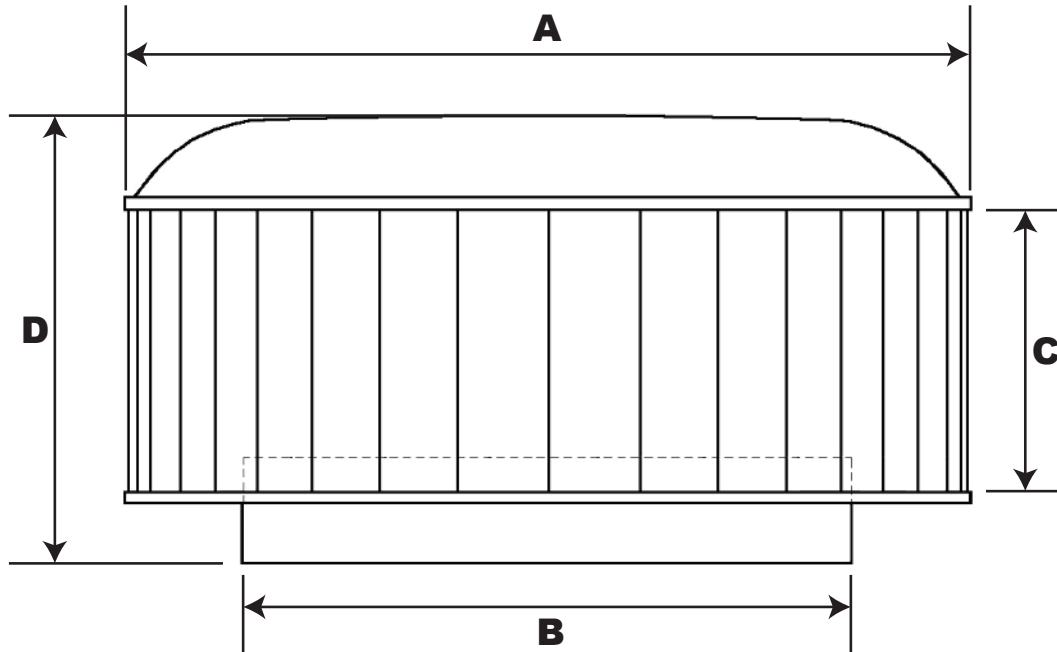
MODEL	A (mm)	B (mm)	C (mm)	D (mm)	Throat Area (m ²)	Weight (kg)
AITV 150	336 Ø	475	128	295	0.0181	2.41
AITV 300	478 Ø	492	200	360	0.0754	4.85
AITV 600	768 Ø	786	300	495	0.2800	11.27
AITV 900	1095 Ø	913	405	620	0.6330	21.61

TOLERANCES: Size +/- 1mm
Weight +/- 0.1kg

NOTE: Overall height will vary depending on the roof pitch. As the Variable Pitch Tube is adjusted to suit a greater pitch, the height of the unit decreases. Overall height will also vary depending on the overlap of the Turbine Head and the Variable Pitch Tube.

INDUSTRIAL TURBINE VENTILATORS

Dimensions – Turbine Head



DIMENSIONS

MODEL	A (mm)	B (mm)	C (mm)	D (mm)	Throat Area (m ²)	Weight (kg)
AITV 150	336 Ø	152 Ø	128	295	0.0181	1.97
AITV 300	478 Ø	310 Ø	200	360	0.0754	3.5
AITV 600	768 Ø	598 Ø	300	495	0.2800	7.96
AITV 900	1095 Ø	898 Ø	405	620	0.6330	16.17

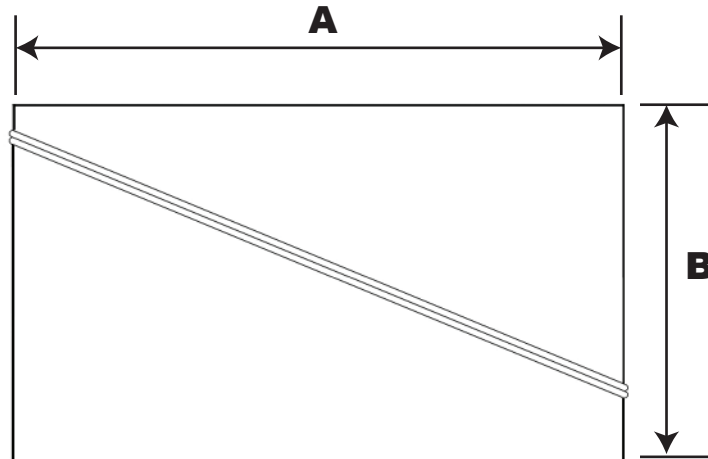
TOLERANCES: Size +/- 1mm
Weight +/- 0.1kg

MATERIALS:

- Vanes & Plates:** Aluminium 5005 H34
- Collar:** Aluminium 5005 H34
- Shaft:** Stainless Steel – 303
- Dome:** Aluminium – 1200 H0
- Throat Brackets:** Aluminium – 6060 T591
- Lower Bearing Support Arms:** Powdercoated Steel
- Upper Bearing Housing:** ASA + G(20%)
- Upper Bearing Support Arms:** ASA + G(20%)
- Upper Bearing:** Double Row Ball Bearing – BWF30-1119Z
- Lower Bearing (AITV 900 only):** Single Row Ball Bearing – SB204-12C

INDUSTRIAL TURBINE VENTILATORS

Dimensions – Variable Pitch Tube



DIMENSIONS

MODEL	A (mm)	B (mm)	Angle Adjustment	Weight (kg)
AITV 150	145 Ø	189	0° – 45°	0.19
AITV 300	303 Ø	190	0° – 45°	0.53
AITV 600	597 Ø	327	0° – 45°	1.75
AITV 900	894 Ø	386	0° – 22.5°	3.04

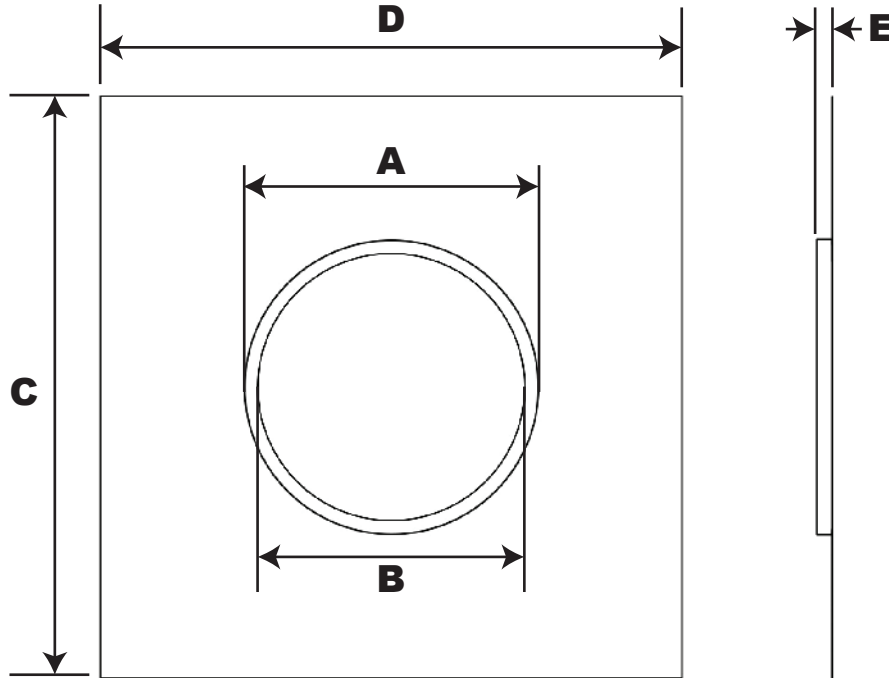
TOLERANCES: Size +/- 1mm
Weight +/- 0.1kg

MATERIALS: Aluminium 5005 H34

NOTE: Overall height will vary depending on the roof pitch. As the Variable Pitch Tube is adjusted to suit a greater pitch, the height of the unit decreases. The effective overall height of the Variable Pitch Tube will also vary depending on the overlap of the Turbine Head and the Variable Pitch Tube, as the Variable Pitch Tube is fitted inside the throat of the Turbine Head.

INDUSTRIAL TURBINE VENTILATORS

Dimensions – Flashing



DIMENSIONS

MODEL	A (mm)	B (mm)	C (mm)	D (mm)	E (mm)	Weight (kg)
AITV 150	148 Ø	130 Ø	400	360	20	0.25
AITV 300	300 Ø	284 Ø	600	600	22	0.82
AITV 600	595 Ø	570 Ø	900	900	25	1.56
AITV 900	892 Ø	870 Ø	1200	1200	28	2.40

TOLERANCES: Size +/- 1mm
Weight +/- 0.1kg

MATERIALS: Aluminium 5005 H34