

Product Specification

K4M450-30A

(Single phase Axial fan)

(220/230V 50/60Hz)

(Customer): _____

(Edition): A00

(Date): 2018.06.05

1.0 Introduction

This specification describes the standard , operation environment, and technic requirements of the product.

2.0 Requirement of production standard and safety regulations

2.1 The product satisfy requirements

2.1.1 GB12350《Safety requirments of small power motors》

2.1.2 GB/T13275 《General technical requirement for general centrifugal fan》

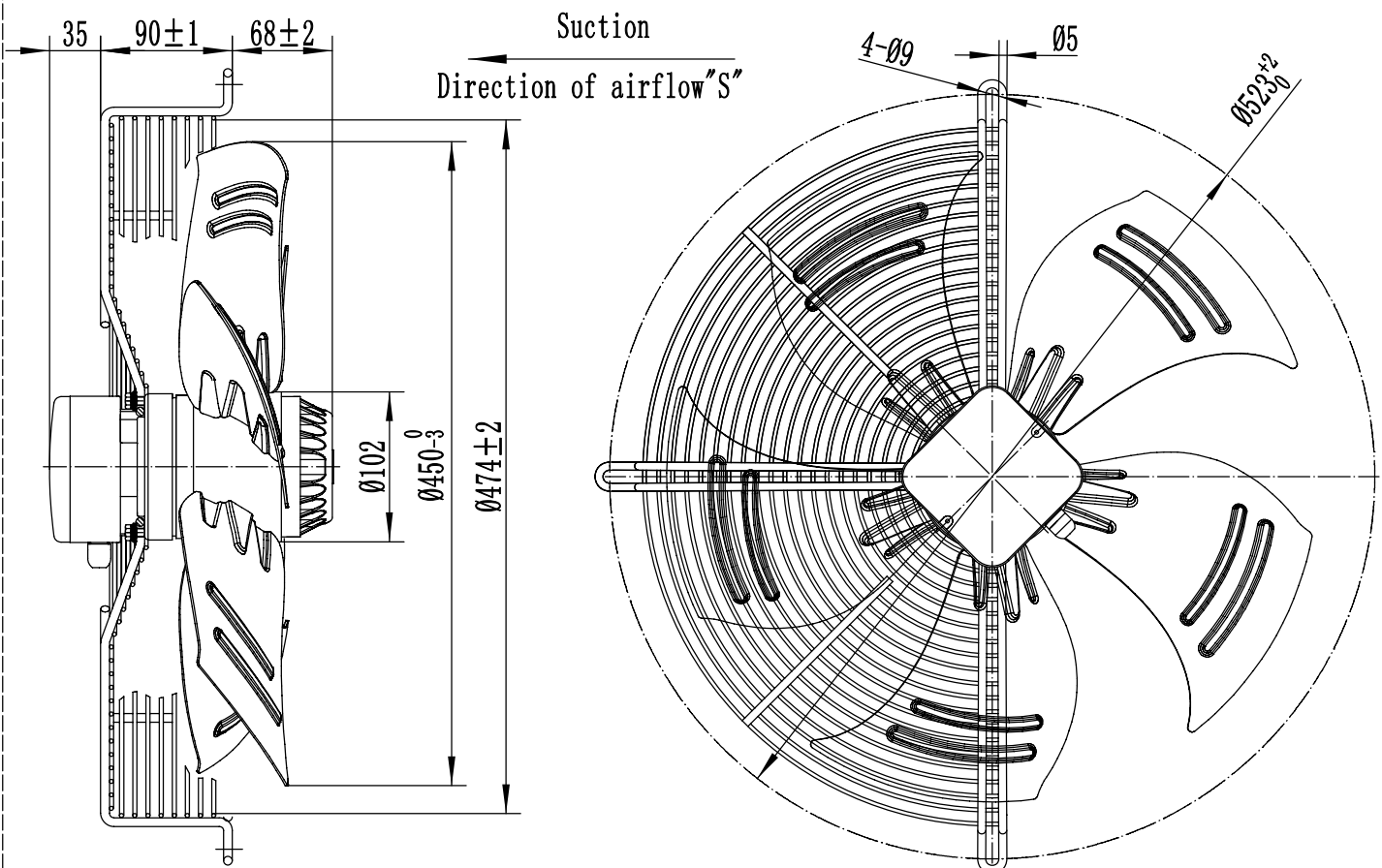
2.1.3 EN60335-1 《Household and similar electrical appliances-safety》

2.2 The fan has CCC、CE certificate

2.3 All material accord with RoHS.

3.0 Mechanical requirements

3.1 Dimension drawing



3.2 Material

Impeller material: Steel, Rotor: Aluminum Casting;

3.3 Motor

External rotor AC motor

3.4 Maintenance free ball bearings

3.5 Balancing

G6.3, JB/T9101 .

At the rated voltage and frequency,, the residual unbalance of the fan is not less than G6.3(balancing precision grade) in each plane, according with JB/T9101.

3.6 Vibration of the fan

Vibration speed virtual value of fans accord with JB/T8689.

3.7 Runout of impeller in axial and radial direction $\leq 3\text{mm}$.

3.8 Fan life expectance 30000 hours, determined when at nominal supply voltage, running at full speed, environment temperature of 20 °C.

4.0 Fan performance

4.1 Performance data

Model No.	Voltage	Frequency	Current	Input Power	Speed	Capacitor	Air Flow	Noise	Operating Temperature	Curve No.	Approvals
Model No.	V	Hz	A	W	rpm	μF	m^3/h	dB(A)	Min / Max (°C)	#	
	220/230	50	1.10	250	1350	7	4500	62	-30 / +60	①	CCC , CE, RoHS
		60	1.20	280	1600		4800	64		②	

4.2 Performance curve

