

Technical Data Sheet

WEISS™

HSVF150GS

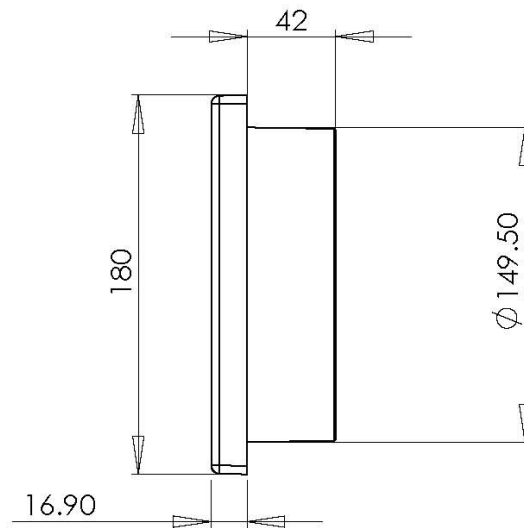
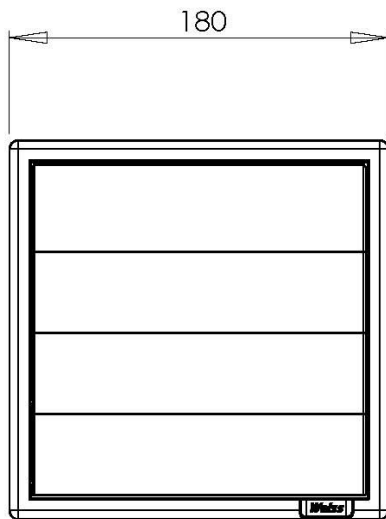
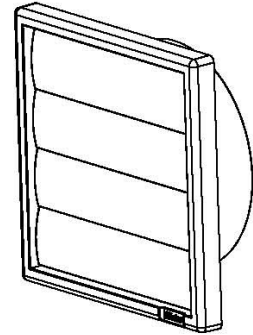
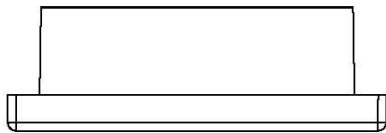
150mm Louvered Outlet Vent

Hangsell

Dimensions

Cut-out size

155mm



General

Plastic outlet vent with Louvers

Approval

N/A

Features

- Exterior Vent
- Easy to install
- 3 year warranty

Technical Data Sheet

Product Use

Exterior Venting

Typical applications:

- Bathrooms
- Toilets
- Laundry Areas

Environmental Conditions

Climatic conditions	class 3K5
Temperature	0...+50°C
Humidity	<95% r.h.

Standards

Test standards	N/A
----------------	-----

Specifications

N/A

Ordering

When ordering please give name and type,

Reference	HSV F150GS
-----------	------------

Packaging	Hangsell
-----------	----------

Barcode	94220004901423
---------	----------------

Technical Data

Material	White ABS
----------	-----------