

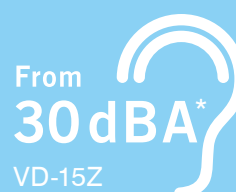
# Ducted Exhaust Ventilation Fans

Low Noise, High Performance Air and Moisture Extraction



# VD Series – High Efficiency Low Noise Ducted Exhaust Fans

Mitsubishi Electric Ducted Exhaust Fans are specifically designed to quickly and efficiently remove moisture and odours in the quietest way possible. They are ideal for areas that are typically exposed to higher levels of moisture such as laundries, bathrooms and toilets.



## Why Ventilate?

---

Good ventilation, in bathrooms and around the home, is a crucial element in minimising odour, condensation and mould issues that can build up – if not managed correctly. Exhaust ventilation should therefore not be overlooked in your home.

## High Airflow with Low Noise

---

Now you can have it all – super quiet ventilation with super energy efficient, high airflow extraction. The seemingly unprecedented combination of powerful airflow and low-noise operation are realised through a design that optimises aerodynamic characteristics. All models are equipped with energy efficient low vibration motors. Furthermore, they are easy to install and clean; making them a popular choice when it comes to ventilation needs.

## Key Features

---

- Quiet, low vibration operation (from 30dBA\*)
- Centrifugal fan with long-life ball bearing motor
- Energy efficient for increased power savings
- Stylish design that blends well with surroundings
- Dual airtight shutters block external noise and outside air

## Designed for Ease of Installation

---

- Suitable for both lightweight steel frame ceilings and traditional roof cavities
- Low height for placement between floors in multiple level buildings
- Stepped pipe guide for simplified duct connection
- High static pressure for longer duct runs
- Easy access to fan and fan motor - no need to add maintenance access
- Snap fit grille
- Quick connect terminal

\*VD-15Z



## Specification Table

Model	Current (A)	Power (W)	Frequency (Hz)	RPM	Air Volume (l/s) / (m <sup>3</sup> /h)	Noise (dBA)	Weight (kg)
VD-10Z	0.05	10	50	950	29.2 / 105	32	2.2
VD-15Z	0.06	13	50	725	47.7 / 172	30	3.4
VD-15ZP	0.08	18	50	900	62.5 / 225	36	3.4
VD-18Z	0.16	34	50	620	98.6 / 355	37	5.8
VD-20Z	0.21	46	50	730	122.2 / 440	41	6.5

Air volume at 0Pa. Flow rates are free flow rates (no duct). Please allow for ducting as per the Static Pressure Table.

\*l/s rounded to one decimal place.

## Dimension Table

Model	Fan (excluding spigot)			Grille Type				Duct
	W (mm)	D (mm)	H (mm)	Type	W (mm)	D (mm)	H (mm)	Dia (mm)
VD-10Z	171	171	172	Plastic	250	250	20	100
VD-15Z	251	251	200	Plastic	330	330	20	100
VD-15ZP	251	251	200	Plastic	330	330	20	100
VD-18Z	270	270	243	Metal	334	334	15	150
VD-20Z	307	307	243	Metal	380	380	15	150

## Domestic Room Size Guide\*

Room Type	VD-10Z 29l/s	VD-15Z 47l/s	VD-15ZP 62l/s	VD-18Z 98l/s	VD-20Z 122l/s
Living Room/Open Plan	< 50m <sup>3</sup>	< 85m <sup>3</sup>	< 110m <sup>3</sup>	< 175m <sup>3</sup>	< 250m <sup>3</sup>
Kitchen	< 20m <sup>3</sup>	< 30m <sup>3</sup>	< 40m <sup>3</sup>	< 70m <sup>3</sup>	< 90m <sup>3</sup>
Bathroom	< 12m <sup>3</sup>	< 20m <sup>3</sup>	< 25m <sup>3</sup>	–	–
Toilet	< 10m <sup>3</sup>	< 20m <sup>3</sup>	< 35m <sup>3</sup>	–	–

\*Guide only. Based on ceiling height of 2.4m and fan only installation. Minimum ventilation standards exist for different room types. Ventilation should be designed based on the building requirements and meet the current standards AS/NZS 1668.2 and AS/NZS 4303. Higher ventilation rates may be required for commercial applications.



**Plastic Grille**

VD-10Z



**Plastic Grille**

VD-15Z



**Plastic Grille**

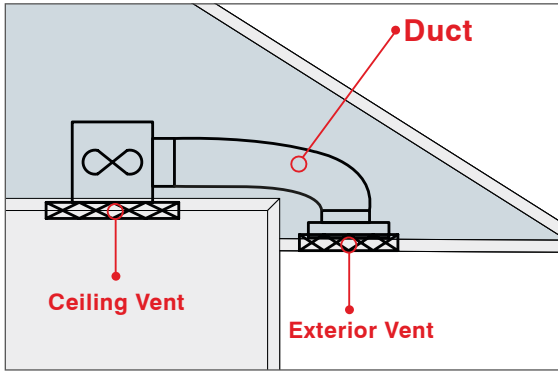
VD-15ZP



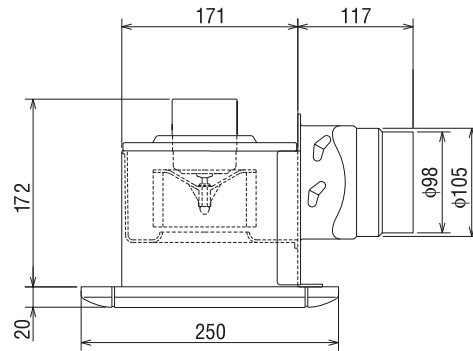
**Metal Grille**

VD-18Z/20Z

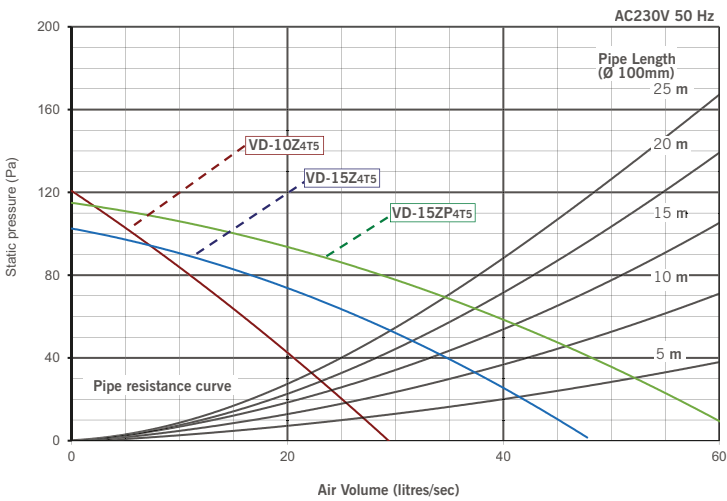
## Typical Installation and Dimensions



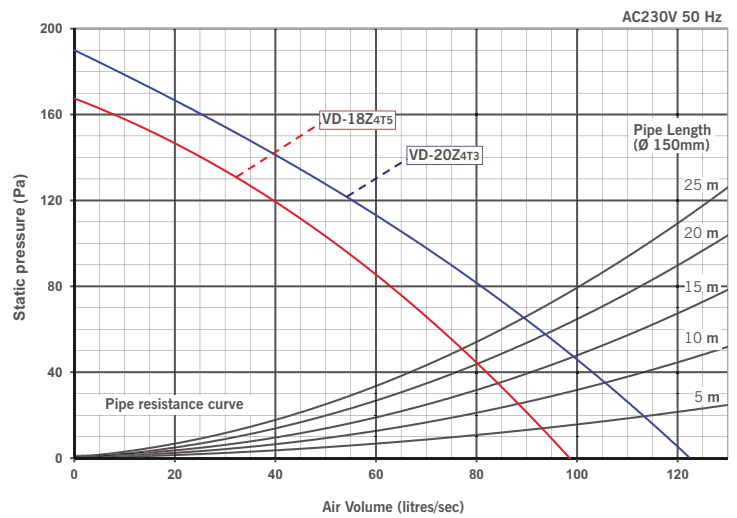
VD-10Z Dimensions (mm)



## Static Pressure Fan Curve



Ducting diameter: VD-10Z, 15Z & 15ZP use 100mm  $\varnothing$   
IP Rating: IPX3



Ducting diameter: VD-18Z, 20Z use 150mm  $\varnothing$   
IP Rating: IPX3



for a greener tomorrow

Eco Changes is the Mitsubishi Electric Group's environmental statement, and expresses the Group's stance on environmental management. Through a wide range of businesses, we are helping contribute to the realisation of a sustainable society.



**Black Diamond Technologies**  
Exclusive distributor of  
Mitsubishi Electric products in NZ

### WELLINGTON HEAD OFFICE

1 Parliament Street  
PO Box 30772  
Lower Hutt 5040

Phone (04) 560 9147  
Fax (04) 560 9133

### AUCKLAND BRANCH

Unit 1, 4 Walls Road  
PO Box 12726  
Penrose, Auckland 1642

Phone (09) 526 9347

### CHRISTCHURCH BRANCH

44 Halwyn Drive  
PO Box 16904  
Hornby, Christchurch 8441

Phone (03) 341 2837

For more information on Mitsubishi Electric Heat Pumps, please visit [www.mitsubishi-electric.co.nz](http://www.mitsubishi-electric.co.nz)  
or call our Customer Service Team on **0800 784 382**