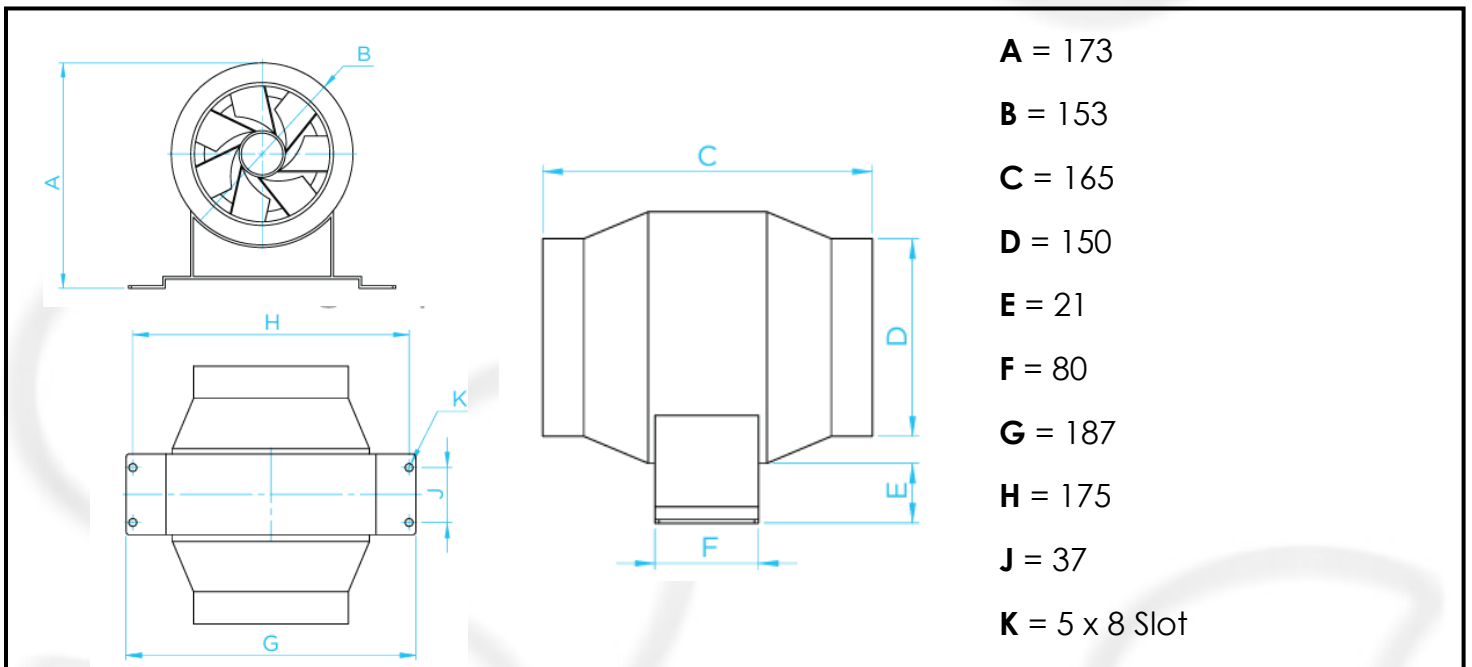
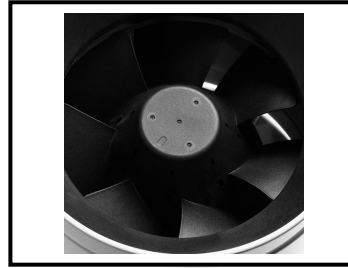
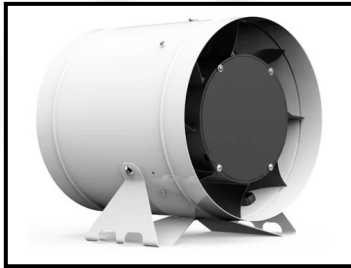


Technical Data Sheet

SJMF 150Ø Inline EC Fan

SJMF-150 1Ø In-Line Duct Mounted EC Fan



The SMJF in-line mixed flow fan includes an energy efficient EC motor for low power consumption. It features a steel casing and a 3-metre detachable lead for connection to a remote potentiometer. Typical Applications • Shower Rooms • Bathrooms • Kitchens • Laundries • Utility Rooms • Residential and Commercial

Motor: 230V 50Hz 1 Phase 0.39 to 0.13 Amp
Total Motor Wattage 0.049 to 0.015 Kw
Comes with energy efficient EC motor
Bearings - sealed for life, heavy duty NWB.
Brushless EC motors are fitted as standard.
IPX4 Motor

Fan Details

Impellers: A high efficiency jet design double mixed flow impeller integrated and directly driven by an EC motor.

Free Air Fan Performance: 144 l/sec Free Air

Installed decibel rating: 50 DB(A) @ 3m (High Speed)

Speed Control: A Detachable 5 metre lead with 3.5mm jack connection to unit is supplied for connection to a remote potentiometer, 0-10VDC or PWM Circuit.

Motor

Brushless EC motors fitted as standard. The IPX4 motor contains sealed for life heavy duty NWB bearings. All motors are suitable for use in ambient air conditions up to +60°C.

Speed controllable by potentiometer

Construction

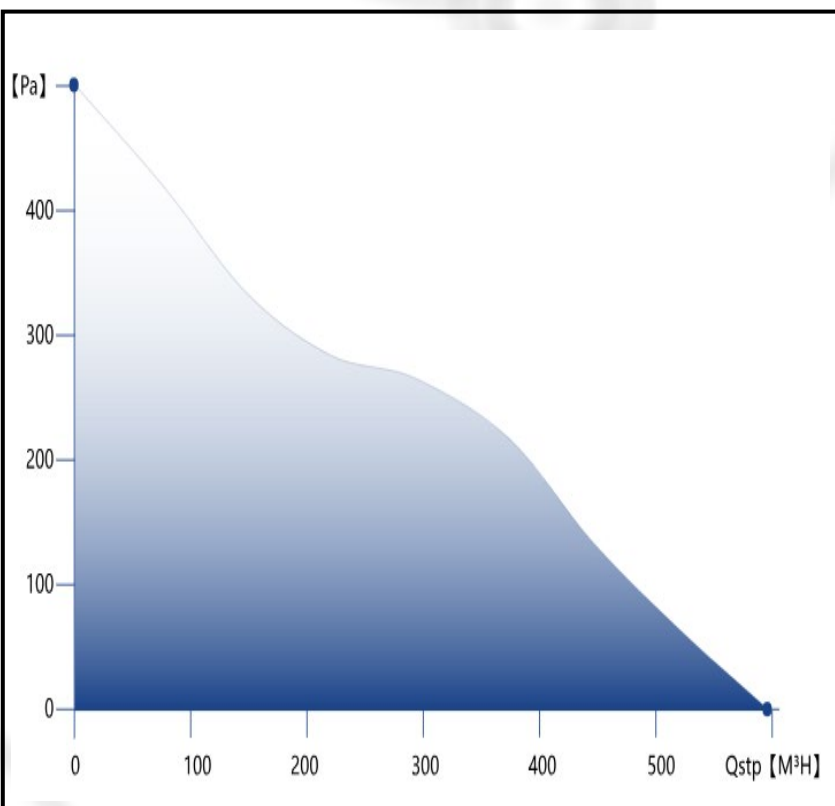
Manufactured with aluminium or cold rolled steel sheet, dependant on size.

Low Energy

Low power consumption at high performance resulting in Low Specific Fan Powers

Impeller

A high efficiency jet design double mixed flow impeller integrated and directly driven by an EC motor.



Fan Size	6inch/150mm
Net Weight	1.6Kg
Rated Voltage	110~120VAC / 220~240VAC
Max. Power C	40W
Frequency	50/60Hz
Max. Speed	5000RPM
Max. Airflow	350CFM/594M ³ H
Max. Static P	51mmH ² O/500Pa
Max.Noise L	60dBA
IP Rating	IPX4
Housing	Painted Metal
Motor Type	EC Motor